

TM171ARS485

Modicon M171 Performance Plug-in BACnet MSTP or Modbus

Product availability: Non-Stock - Not normally stocked in distribution facility

Price*: 74.69 USD



Main

Range of Product	Modicon M171
Product or Component Type	Communication module
Communication Port Protocol	RS485 BACnet MS/TP Modbus RTU

Complementary

Integrated connection type	RS485 wire crimp - twisted pair
Adjustment	Pitch 3.81 mm
Electrical connection	Removable screw terminal block
Physical interface	90° insertion - 0.00 in ² (2.5 mm ²) cable
Supply	Via base board EVD/EVC
Product Compatibility	Logic controller M172 performance Logic controller M171 performance
Net Weight	0.17 Lb(US) (0.077 kg)

Environment

Product Certifications	CURus CSA EAC CE
Marking	CE
IP Degree of Protection	IP20
Ambient Air Temperature for Operation	14...131 °F (-10...55 °C)
Ambient Air Temperature for Storage	-4...185 °F (-20...85 °C)
Relative Humidity	10...90 % without condensation

Ordering and shipping details

Category	22537 - M171 / M172 HVAC CONTROLLERS
Discount Schedule	PC12
GTIN	03606480752568
Nbr. of units in pkg.	1
Package weight(Lbs)	6.38 Oz (181 g)
Returnability	No
Country of origin	IT

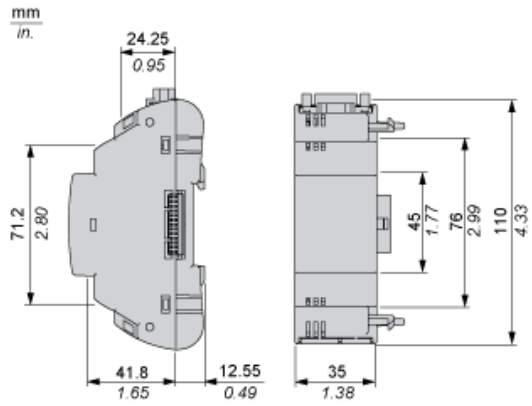
Packing Units

Unit Type of Package 1	PCE
Package 1 Height	5.12 In (13 cm)
Package 1 width	3.58 In (9.1 cm)
Package 1 Length	7.28 In (18.5 cm)

Offer Sustainability

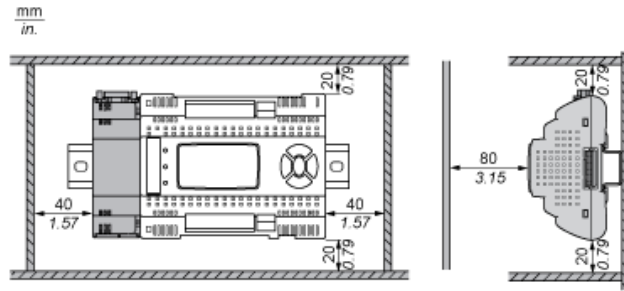
California proposition 65	WARNING: This product can expose you to chemicals including: Lead and lead compounds, which is known to the State of California to cause cancer and birth defects or other reproductive harm. For more information go to www.P65Warnings.ca.gov
REACH Regulation	REACH Declaration
REACH free of SVHC	Yes
EU RoHS Directive	Pro-active compliance (Product out of EU RoHS legal scope) EU RoHS Declaration
Mercury free	Yes
RoHS exemption information	Yes
China RoHS Regulation	China RoHS Declaration
WEEE	The product must be disposed on European Union markets following specific waste collection and never end up in rubbish bins.

Dimensions

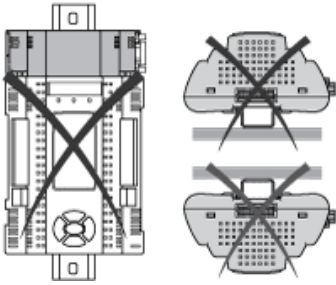


Mounting and Clearance

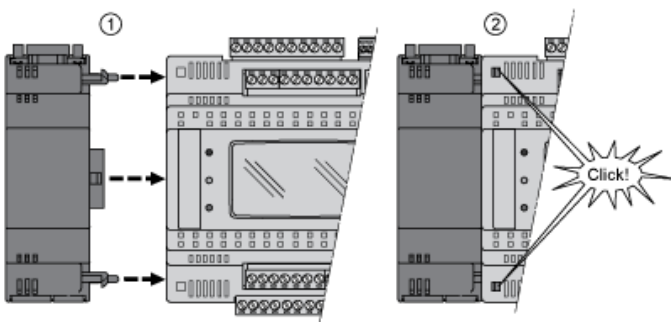
Clearance



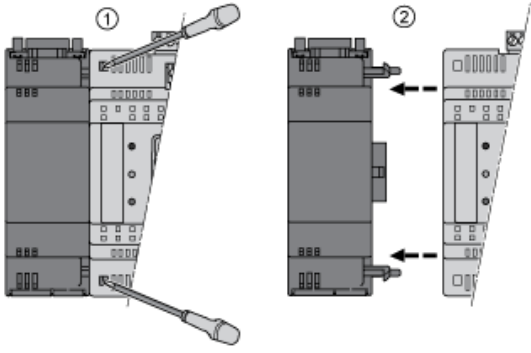
Misplacement



Mounting on Controller



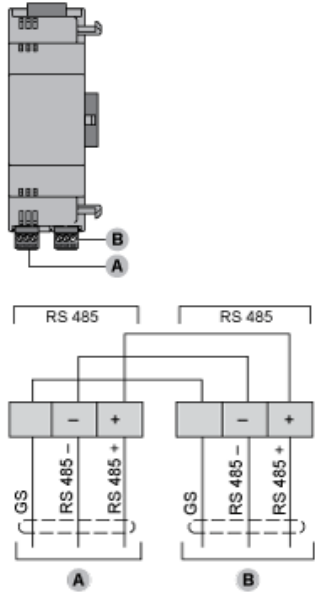
Dismounting



Connections and Schema

RS 485 Communication Module

TM171ARS485



Product Life Status : Commercialised